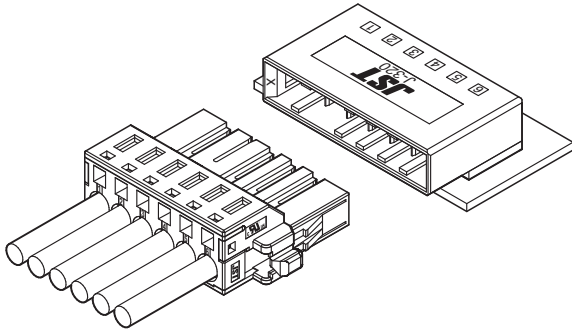


J-FAT CONNECTOR

3.5/5/5.08/6.35/8/15 mm pitch/Connectors for PC board (Spring type terminal block)



Spring type connection structure makes a wire connection operation easy by using the open tool.

Specifications

Current unit: A

Series name	No. of circuits	Current rating (AC/DC)								Voltage rating (AC/DC)	
		Wire size (AWG)									
		#8	#10	#12	#14	#16	#18	#20	#22		#24
Mini J-FAT	2	-	-	-	-	-	-	7	6	5	250 V
J-FAT-S-H	5	-	-	-	13.5	11.5	9.5	-	-	-	300 V
	9	-	-	-	12	11	9	-	-	-	
J-FAT-S-A	3	-	-	-	13	12.25	10.5	-	-	-	300 V
	4	-	-	-	12	11.25	10	-	-	-	
	5	-	-	-	11.25	10.5	9.5	-	-	-	
J-FAT-S-F	6	-	-	-	9.75	9.75	9	-	-	-	600 V
J-FAT-S-G	4	-	-	-	11.25	11.25	10	-	-	-	
J-FAT-S-4300	3	-	-	20	17	15	-	-	-	-	
J-FAT-S-XL	3	-	23	21	18	15	-	-	-	-	600 V
	6	-	21	18	16	14	-	-	-	-	
	7	-	21	18	16	13	-	-	-	-	
J-FAT-S-P	3	43	30	21	18	15	-	-	-	-	

Note : The above specifications may differ from Safety Standard.

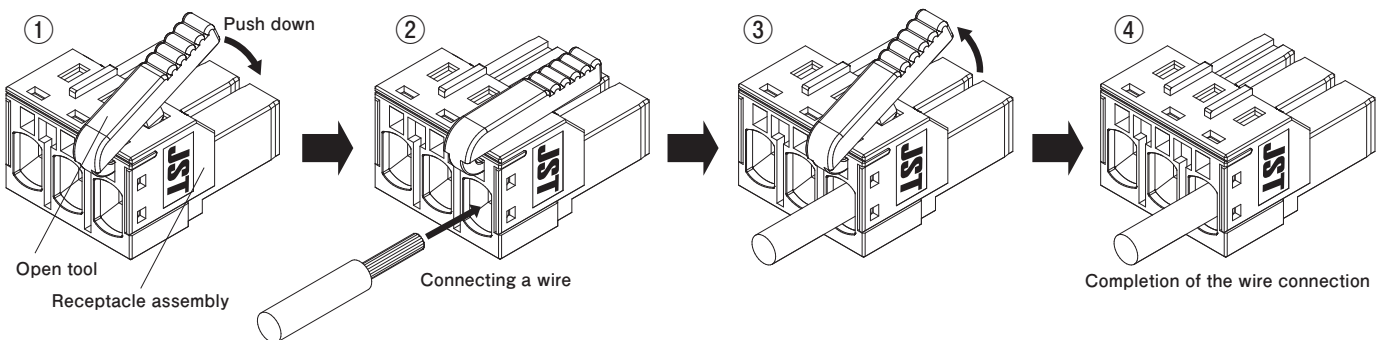
* In using the products, refer to "Handling Precaution for Terminals and Connectors" described on our website (Technical documents of Product information page).

* RoHS2 compliance

* Dimensional unit: mm

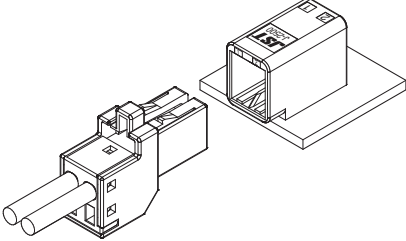
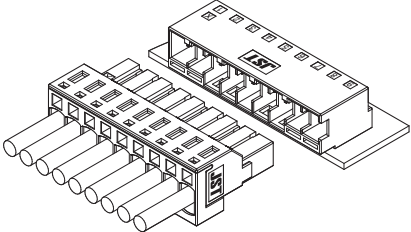
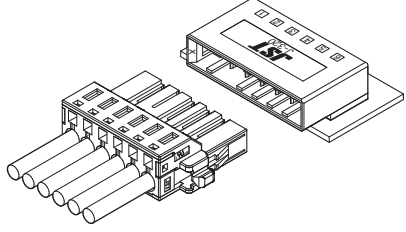
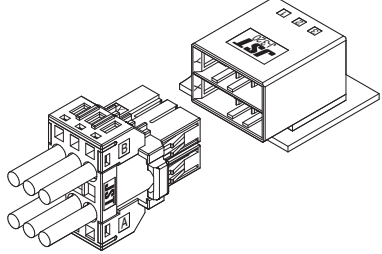
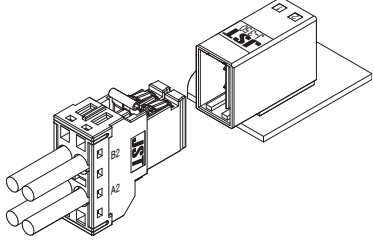
* Contact JST for details.

How to connect a wire

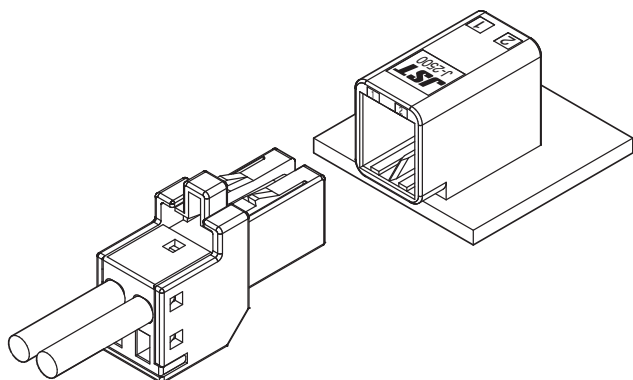


J-FAT CONNECTOR

J-FAT connector products line-up

Rated voltage	Pitch between circuits	Series name	Applicable header	No. of circuits	Applicable wire
250 V	3.5 mm	Mini J-FAT	J2500 Header		AWG#24 to #20
				2	
300 V	5 mm	J-FAT-S-H5.0	J-FAT-S-H5.0 Header		AWG#18 to #14
		J-FAT-S-A	J320S/J320M Header		
	5.08 mm	J-FAT-S-F	J320M Header		
		J-FAT-S-G	J350D Header		
				5, 9	
				3, 4, 5, 6	
				6	
				4	

J-FAT CONNECTOR/Mini SERIES



Specifications

- Current rating: AC/DC

Current unit: A

Wire size (AWG)		
#20	#22	#24
7	6	5

- Voltage rating: 250 VAC/DC
 - Temperature range: -55°C to +105°C
(including temperature rise in applying electrical current)
 - Contact resistance: Initial value/20 mΩ max.
After environmental tests/40 mΩ max.
 - Insulation resistance: Initial value/1,000 MΩ min.
After environmental tests/100 MΩ min.
 - Withstanding voltage: 1,500 VAC/minute
 - Applicable wire: AWG #24 to #20
 - Applicable PC board thickness: 1.6 mm
- Note: The above specifications may differ from Safety Standard.

* In using the products, refer to "Handling Precautions for Terminals and Connectors" described on our website (Technical documents of Product information page).

* RoHS2 compliance

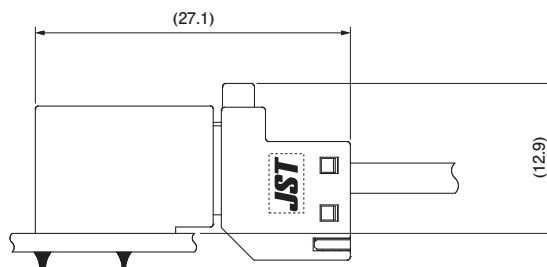
* Dimensional unit: mm

* Contact JST for details.

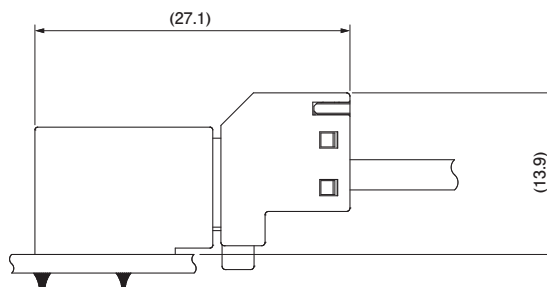
Assembly layout

Wire-to-board

J2500 (Single-row type)
<Side entry type>
● Normal type

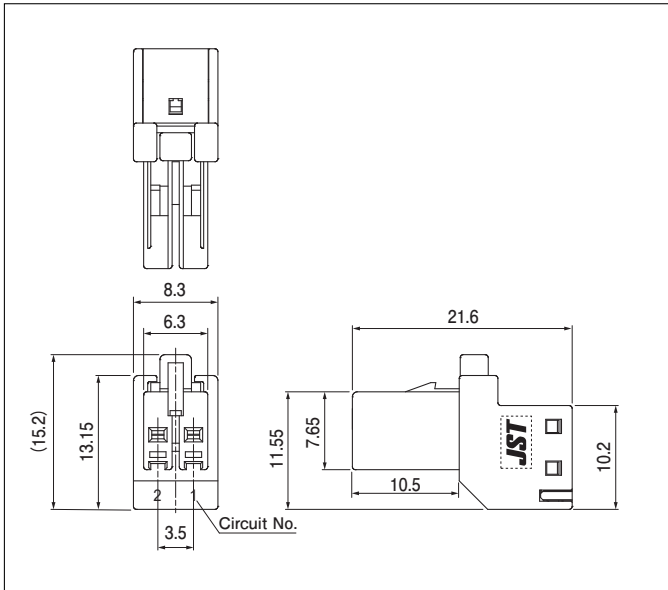


● Reverse type



J-FAT CONNECTOR / Mini SERIES

Receptacle assembly

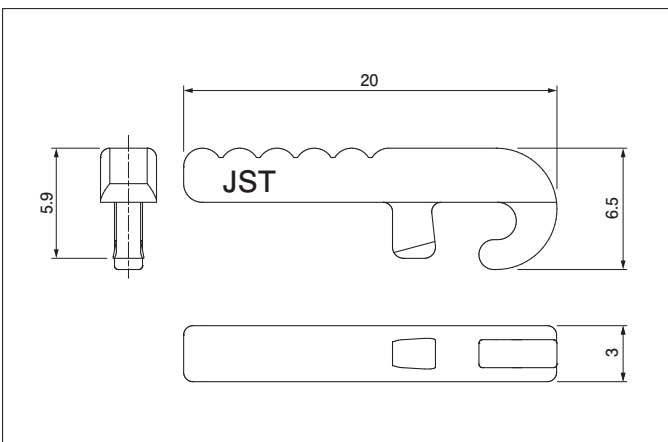


No. of circuits	Keying	Model No.	Q'ty/box
2	—	02MJFAT-SAGF	270

Material and Finish
Tab contact: Copper alloy, nickel-undercoated, selective gold-plated Housing: Glass-filled PBT, UL94V-0, black Cover: Glass-filled PBT, UL94V-0, black Spring: Stainless

RoHS2 compliance

Open tool



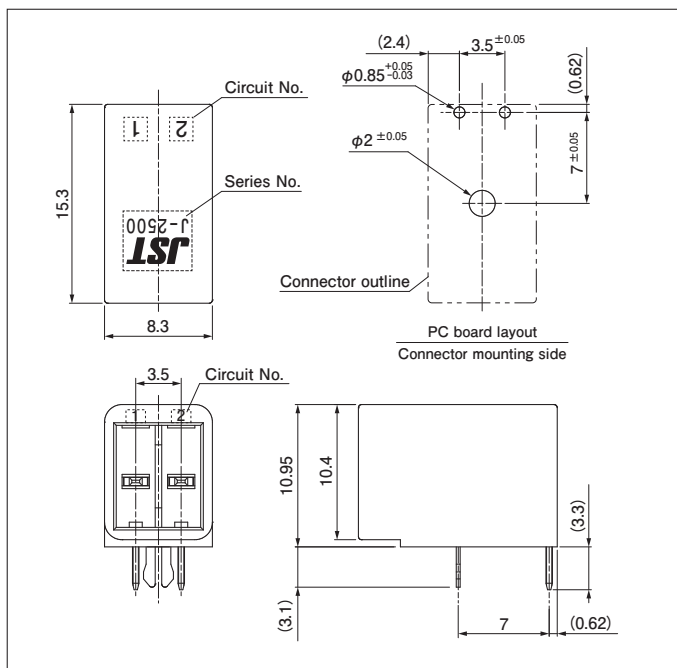
Model No.	Q'ty/bag
MJFAT-OT	1,000

Material and Finish
Glass-filled PA

RoHS2 compliance

J-FAT CONNECTOR/Mini SERIES

Header (Side entry type)



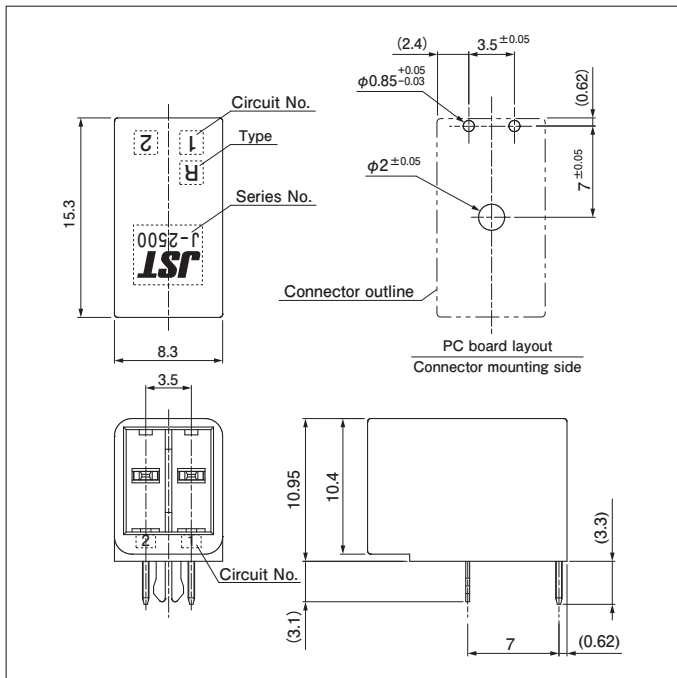
No. of circuits	Keying	Model No.	Q'ty/box
2	—	S02B-J25SK-GGR	364

Material and Finish

Tab contact: Copper alloy, nickel-undercoated, selective gold-plated
Housing: Glass-filled PBT, UL94V-0, black
Reinforcement: Copper alloy, nickel-undercoated, selective gold-plated

RoHS2 compliance This product displays (LF)(AU) on a label.

Header (Side entry type Reverse type)



No. of circuits	Keying	Model No.	Q'ty/box
2	—	SR02B-J25SK-GGR	364

Material and Finish

Tab contact: Copper alloy, nickel-undercoated, selective gold-plated
Housing: Glass-filled PBT, UL94V-0, black
Reinforcement: Copper alloy, nickel-undercoated, selective gold-plated

RoHS2 compliance This product displays (LF)(AU) on a label.